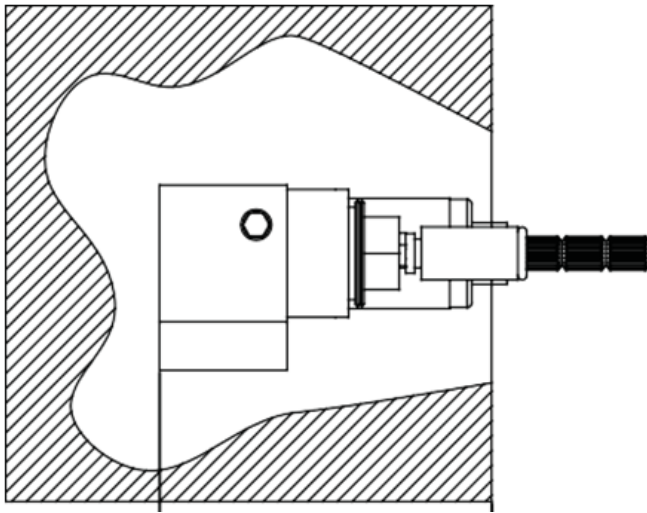


T0.16.3F.I Basin 3 Hole Wall Mixer - Built In Part



Min 55mm / Max 110mm

TECHNICAL DATA

1. Brass Internal Part
2. O Ring Seal
3. Hot Cartridge
4. Cold Cartridge
5. Spout Sealing Ring
6. Spout Connecting Piece
7. Spout Plug
8. Extension Piece O Ring

