

## TECHNICAL FILE

### **T0.322T.I**

WALL MOUNTED THERMOSTATIC BATHTUB/SHOWER MIXER WITH 2 INDEPENDENT EXITS

#### TECHNICAL FEATURES

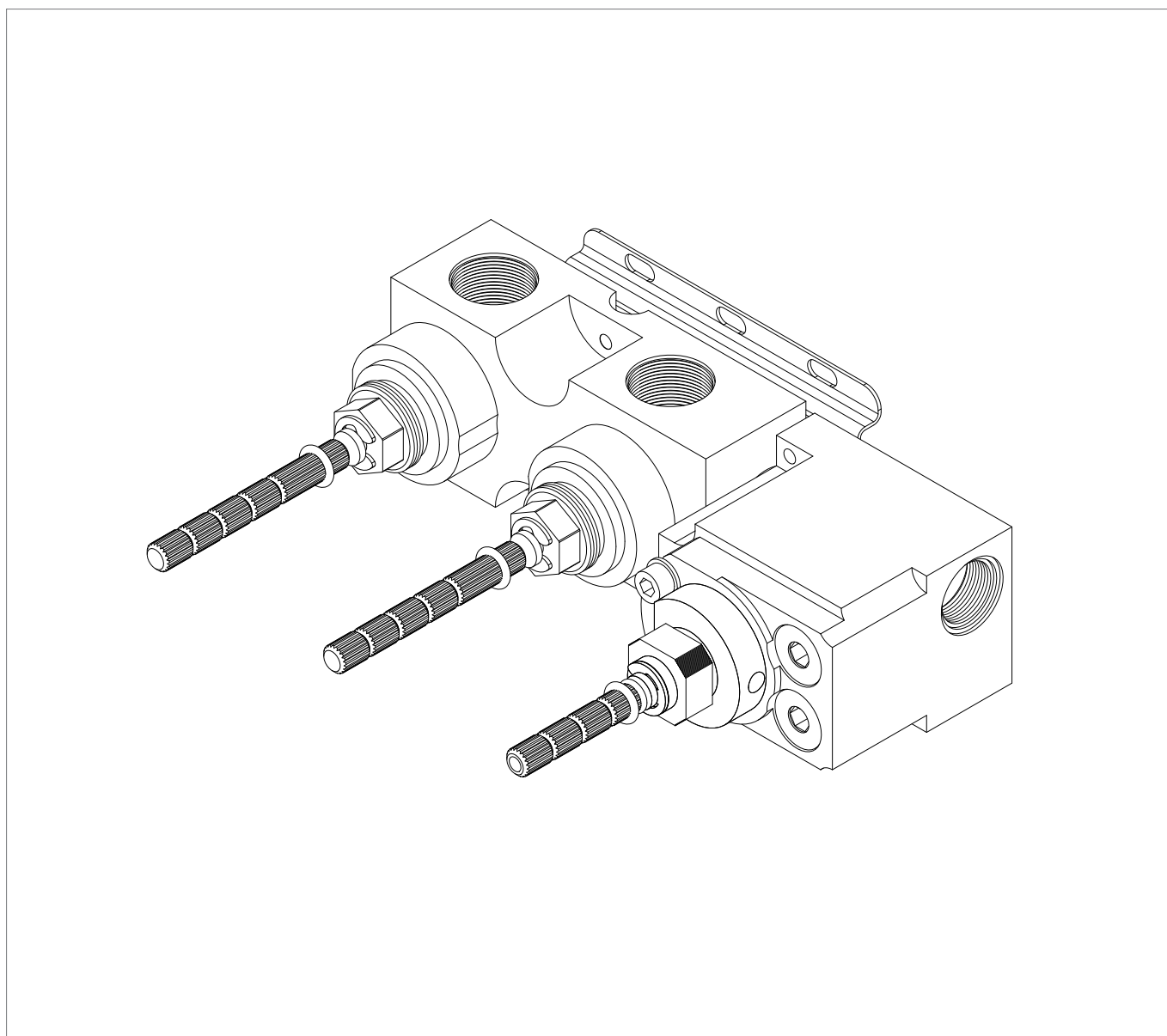
- STOP AT 330°
- TEMPERATURE RANGE FROM - MIN. 5° TO MÁX. 70°
- RECOMMENDED TEMPERATURE - 50°
- PRESSURE RANGE - 0.1 TO 5 BAR
- RECOMMENDED PRESSURE 1 TO 5 BAR

#### FLOW CHART

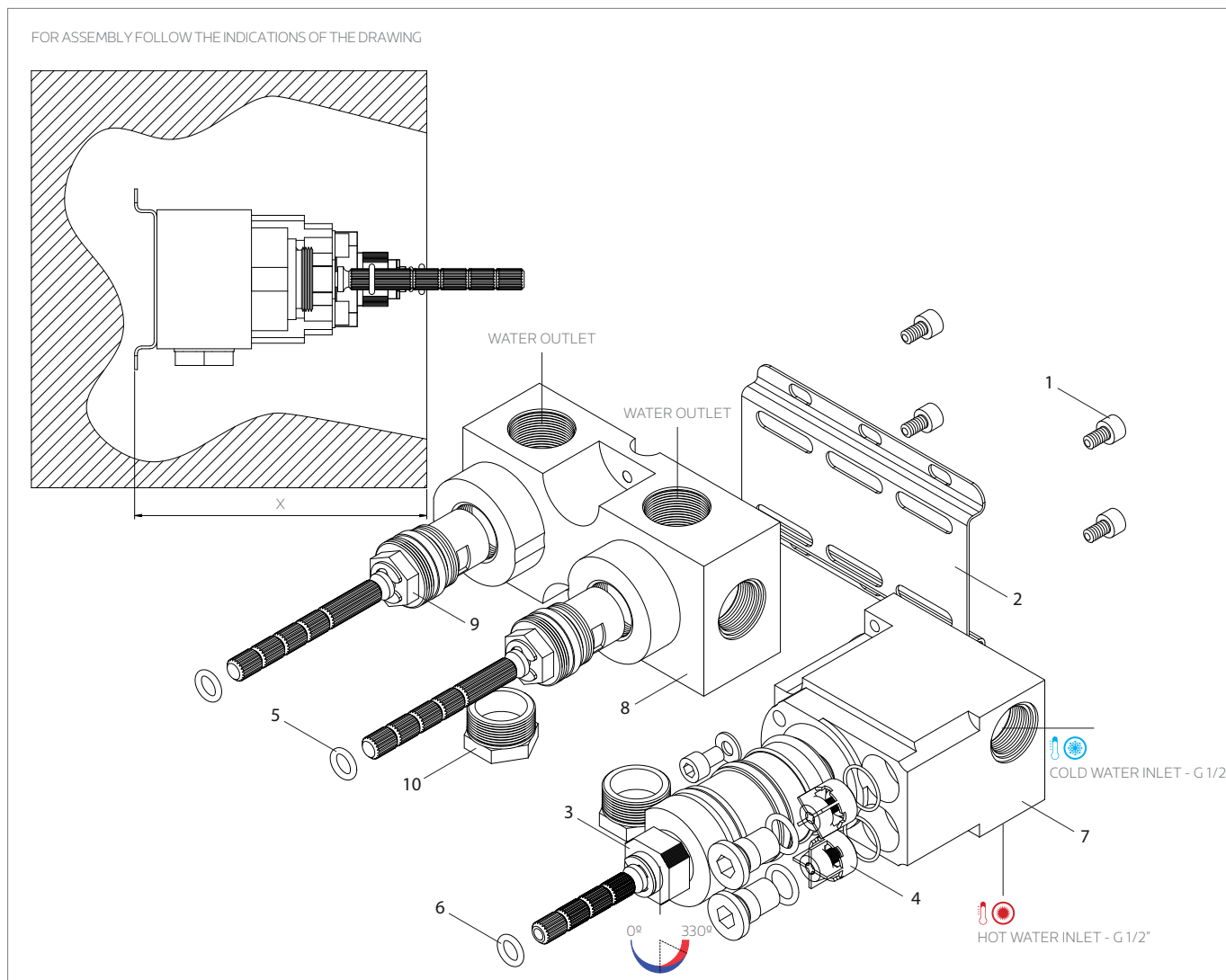
AT:

- 1 BAR - 13.9 LT/MIN.
- 1.5 BAR - 18 LT/MIN.
- 2 BAR - 21 LT/MIN.
- 3 BAR - 24 LT/MIN.
- 4 BAR - 28 LT/MIN.

#### TECHNICAL DRAWING (MEASUREMENTS IN MM)



ASSEMBLY INSTRUCTIONS



TECHNICAL DATA

Nº	REFERENCE	DESCRIPTION
01	P00000	SCREW
02	P00000	FIXING PLATE
03	P00000	THERMOSTATIC VALVE
04	P00000	NON RETURN VALVE
05	P00000	O-RING
06	P00000	O-RING
07	P00000	THERMOSTATIC SEAT
08	P00000	STOP VALVE SEAT
09	P00000	STOP VALVE
10	P00000	HALF INCH CAP

LEGEND

SYMBOL	SYMBOL
○	CLOSED
●	EXIT 1
●●	EXIT 2
●●●	EXIT 3
⊙	HOT
⊛	COLD

INSTALLATION RECOMENDATIONS

BEFORE INSTALLING A TAP, IT IS GOOD TO RINSE THE SUPPLY PIPES TO REMOVE ALL RESIDUES. WE ALSO RECOMMEND INSTALLING THE TAPS WITH A FILTER. THE INSTALLATION OF THE TAP MUST BE DONE WITH THE SURFACE CLEAN AND DRY. TO PERFORM THE WATER PRESSURE TEST, THE TAPS MUST BE OPEN.

CLEANING AND MAINTENANCE

CLEANING MUST BE DONE WITH LIQUID SOAP AND WATER. DO NOT USE LIQUID DETERGENTS CONTAINING ABRASIVE OR ACIDIC SUBSTANCES, ABRASIVE SPONGES OR DISINFECTANTS. INCORRECT CLEANING MAY PERMANENTLY RUIN THE SURFACE OF TAPS.

IN COLOR FINISHINGS, DO NOT USE PRODUCTS CONTAINING ALCOHOL, ACETONE AND OTHER SOLVENTS.

BUILT-IN

X  
FLOW/AVIA - MIN95/MAX120 MM  
CRUZ/BOCA - MIN85/MAX100 MM