

## TECHNICAL FILE

### TX.322TE.CR

WALL MOUNTED THERMOSTATIC BATHTUB/SHOWER MIXER WITH 2 INDEPENDENT EXITS

#### TECHNICAL FEATURES

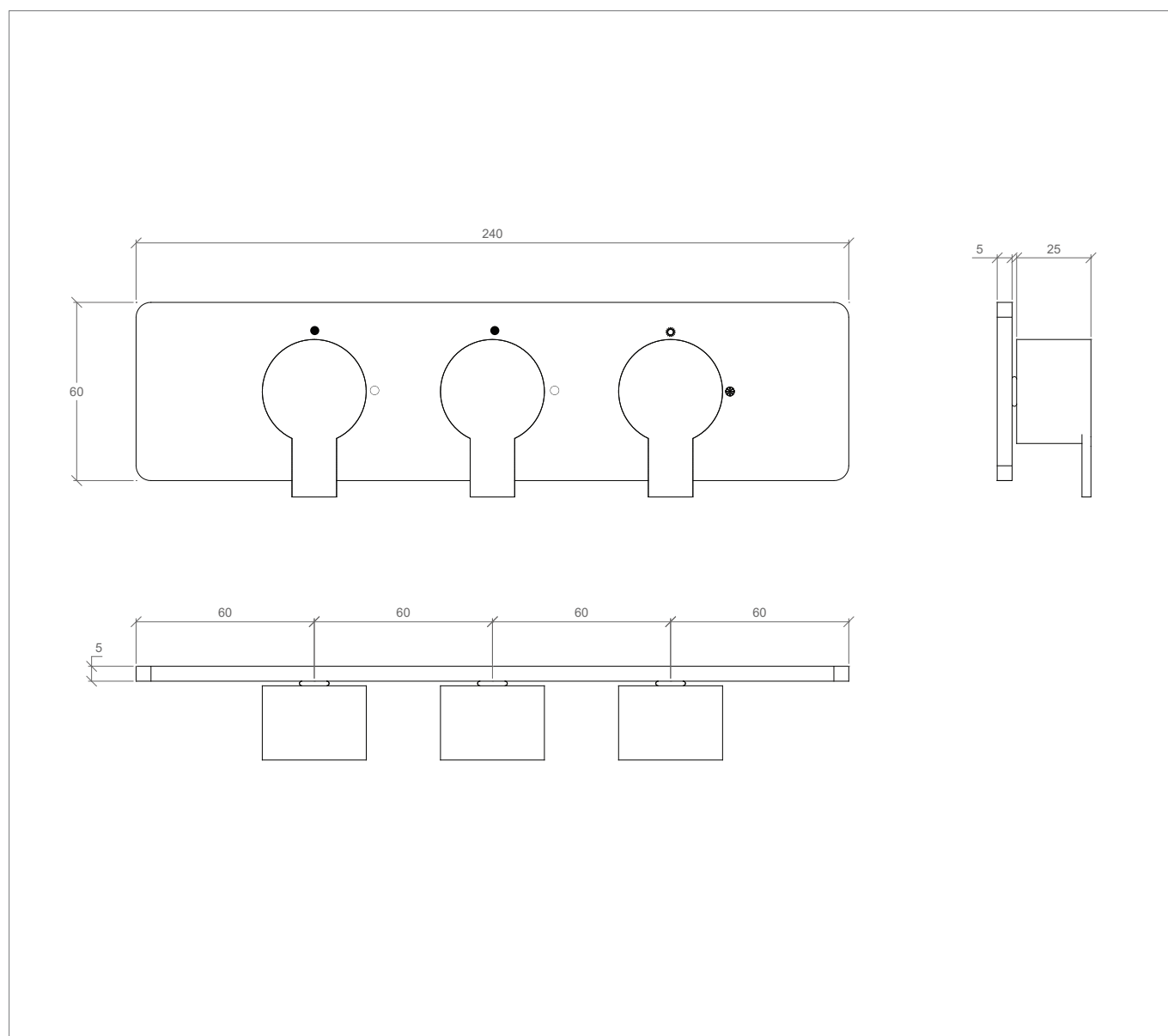
- STOP AT 330°
- TEMPERATURE RANGE FROM - MIN. 5° TO MÁX. 70°
- RECOMMENDED TEMPERATURE - 50°
- PRESSURE RANGE - 0.1 TO 5 BAR
- RECOMMENDED PRESSURE 1 TO 5 BAR

#### FLOW CHART

AT:

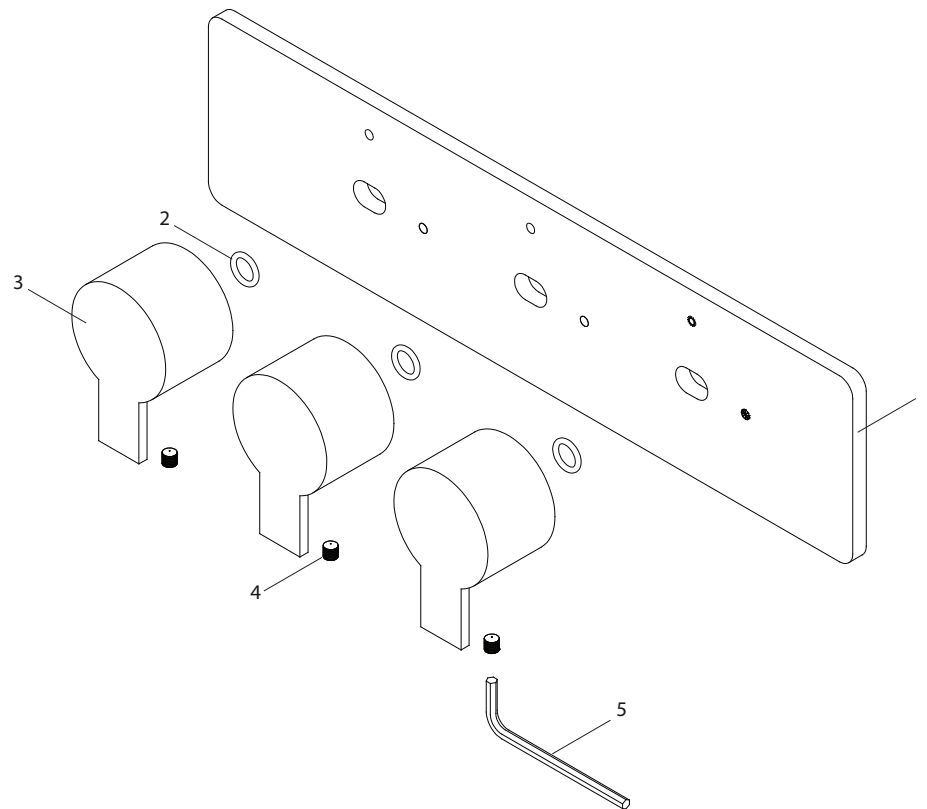
- 1 BAR - 13.9 LT/MIN.
- 1.5 BAR - 18 LT/MIN.
- 2 BAR - 21 LT/MIN.
- 3 BAR - 24 LT/MIN.
- 4 BAR - 28 LT/MIN.

#### TECHNICAL DRAWING (MEASUREMENTS IN MM)



ASSEMBLY INSTRUCTIONS

FOR ASSEMBLY FOLLOW THE INDICATIONS OF THE DRAWING



TECHNICAL DATA

Nº	REFERENCE	DESCRIPTION
01	P00000	PLATE
02	P00000	O-RING
03	P00000	XERO HANDLE
04	P00000	ALLEN SCREW
05	P00000	ALLEN KEY

LEGEND

SYMBOL	SYMBOL
○	CLOSED
●	EXIT 1
●●	EXIT 2
●●●	EXIT 3
⊙	HOT
⊗	COLD

INSTALLATION RECOMENDATIONS

BEFORE INSTALLING A TAP, IT IS GOOD TO RINSE THE SUPPLY PIPES TO REMOVE ALL RESIDUES. WE ALSO RECOMMEND INSTALLING THE TAPS WITH A FILTER. THE INSTALLATION OF THE TAP MUST BE DONE WITH THE SURFACE CLEAN AND DRY. TO PERFORM THE WATER PRESSURE TEST, THE TAPS MUST BE OPEN.

CLEANING AND MAINTENANCE

CLEANING MUST BE DONE WITH LIQUID SOAP AND WATER. DO NOT USE LIQUID DETERGENTS CONTAINING ABRASIVE OR ACIDIC SUBSTANCES, ABRASIVE SPONGES OR DISINFECTANTS. INCORRECT CLEANING MAY PERMANENTLY RUIN THE SURFACE OF TAPS.

IN COLOR FINISHINGS, DO NOT USE PRODUCTS CONTAINING ALCOHOL, ACETONE AND OTHER SOLVENTS.