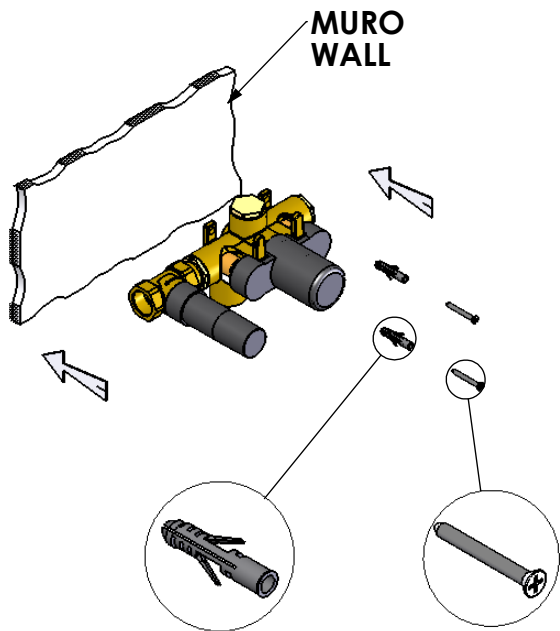
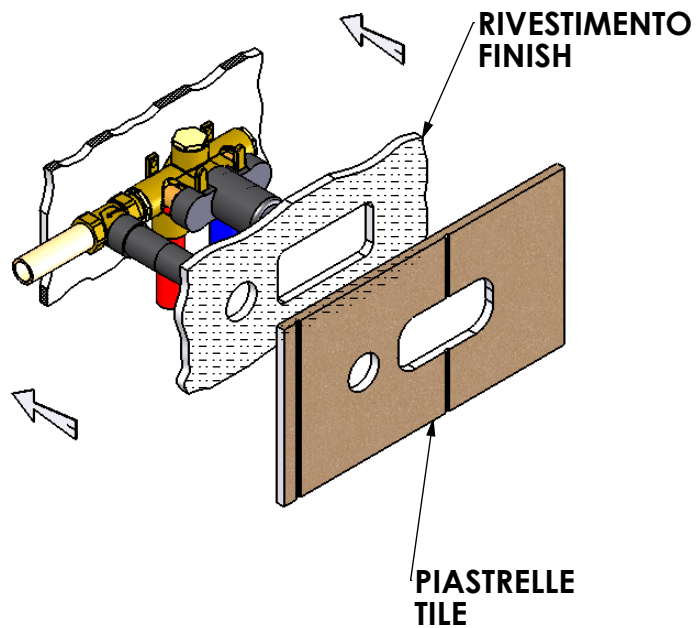
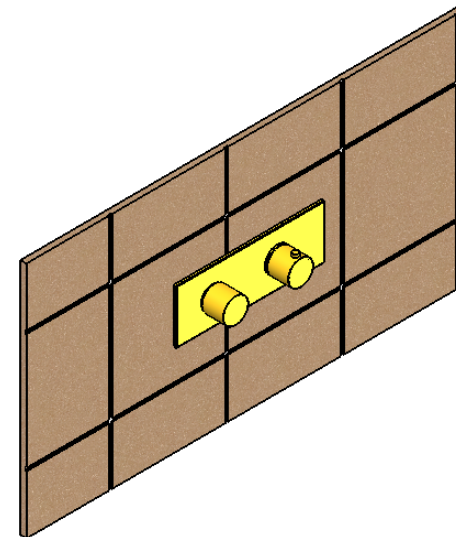
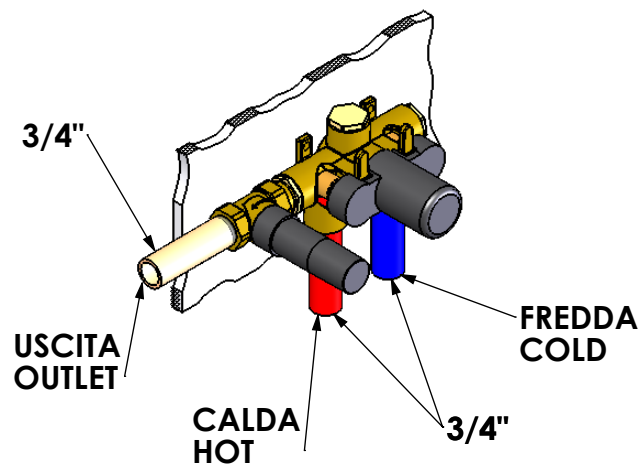
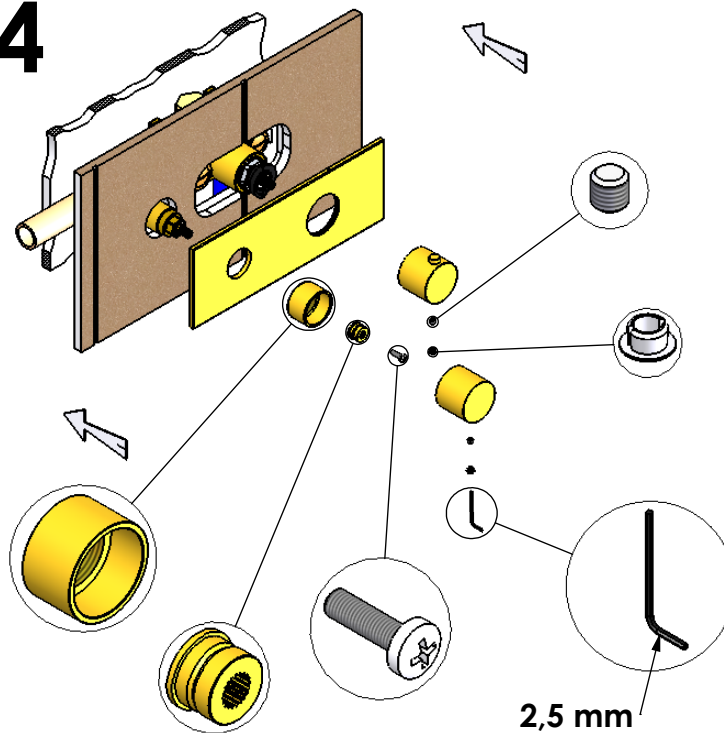


1**3****5****2****4**

GEDA S.R.L.
 33080 Porcia (PN)- ITALY
 VIA MAESTRI DEL LAVORO, 16/18
 TEL. + 39 0434 923077
 FAX. + 39 0434 591923
 info@gedanextage.com
 www.gedanextage.com