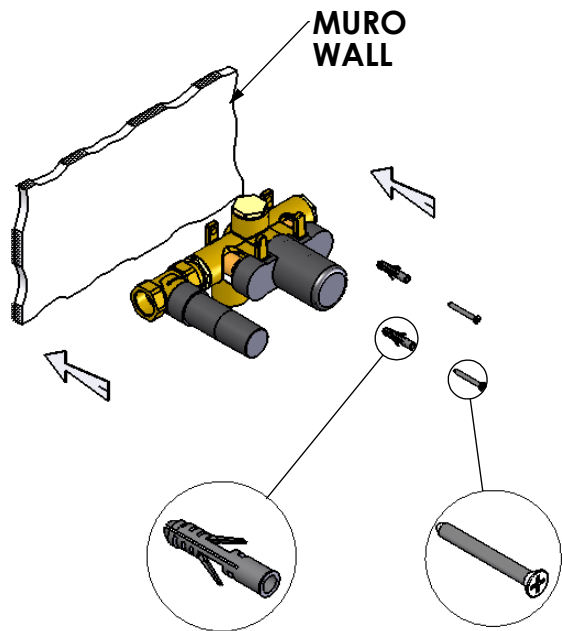
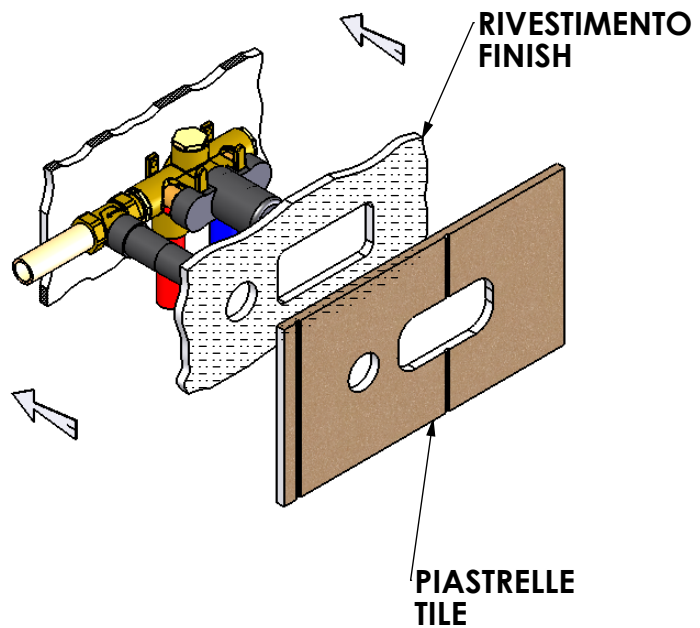
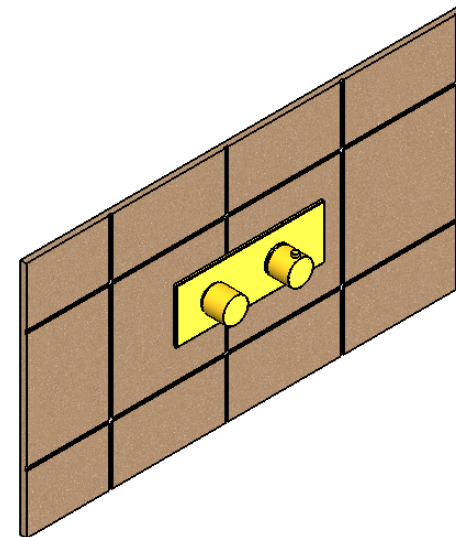
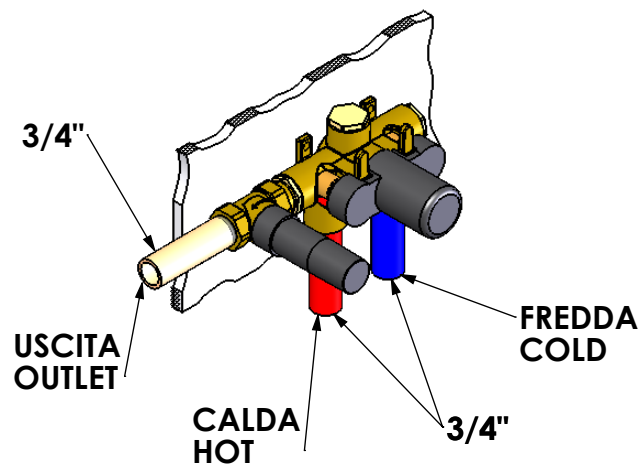
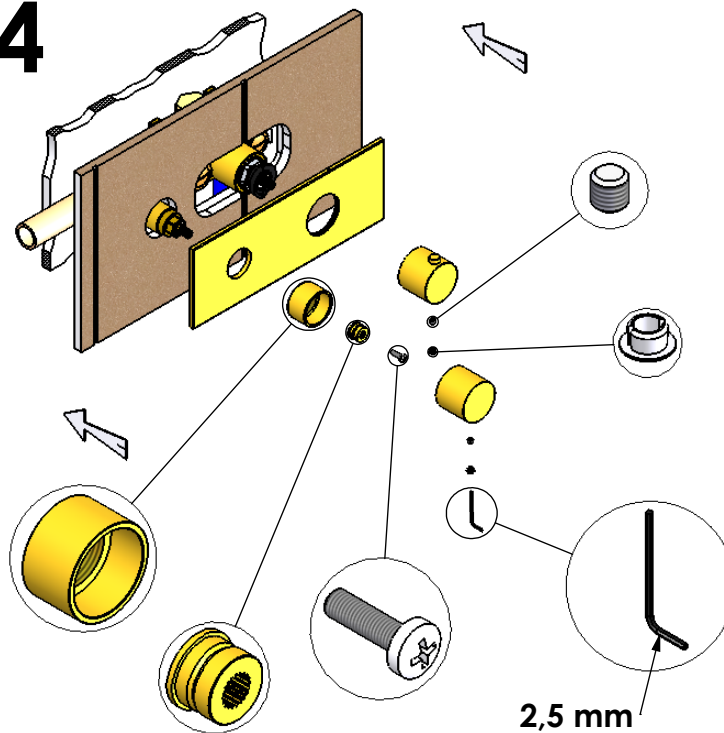


**1****3****5****2****4**

GEDA S.R.L.

33080 Porcia (PN)- ITALY

VIA MAESTRI DEL LAVORO, 16/18

TEL. + 39 0434 923077

FAX. + 39 0434 591923

info@gedanextage.com

www.gedanextage.com